

ECN	REV	DESCRIPTION	DATE	APPROVED

1. 芯数/NO. of contacts

系列/Series	303	304	305	306	308	312	317
孔位排列/Pin Number							
适配线缆/Conductor size	22AWG	22AWG	22AWG	24AWG	24AWG	26AWG	26AWG
导体直径/Pin size	1.0mm	1.0mm	1.0mm	0.8mm	0.8mm	0.6mm	0.6mm
额定电流/Rated current	4A	4A	4A	2A	2A	1A	1A
额定电压/Rated voltage	250V	250V	60V	30V	30V	30V	30V

2. 绝缘体型号/Insulator Coded

Coded	A	B	D
型号			

3. 编码原则/Part Number

浮动式插头/Free Plug

M12I 1 305 A M A B G1

主型号/Type

外观/Appearance: 1, 2, 3, 4

针数/Pin Number

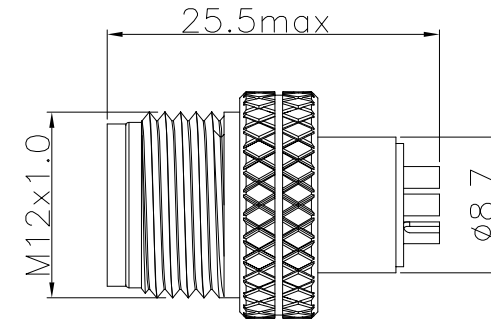
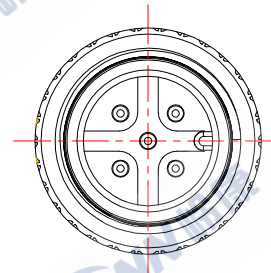
绝缘体型号/Insulator coded: A, B, D

绝缘体型号/Insulator type: M=Male

针类型/Sold Type: A=turning Z=Stamping

针长度/Pin Length: B=Standard

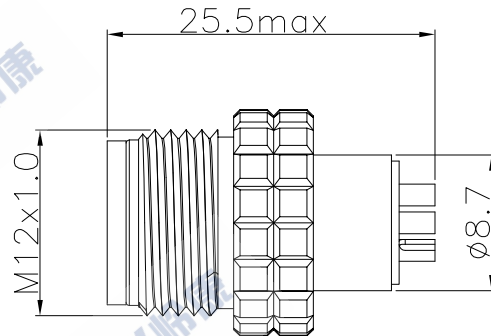
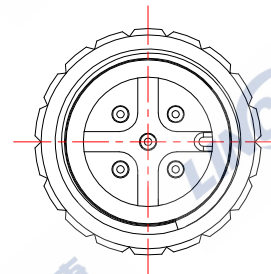
表面处理/Plating: Gold Flash



(M12I1)

4. 技术特性/Technical Characteristics

1. 寿命/Durability: >500 mate/unmate cycles
2. Pin接触电阻/ Pin Contact Resistance: ≤10 mΩ
3. 绝缘电阻/Insulation Resistance: ≥ 100 MΩ
4. 温度等级/Rated Temperature: -25° C, +80° C
5. 盐雾/Corrosion Resistance: Salt spray test, >48h
6. 防水等级/Waterproof: IP67



(M12I3)

4	屏蔽壳/Shield Shell: 黄铜镀镍/Brass, Nickel plated
3	外壳/Outer Shell: 黄铜镀镍/Brass, Nickel plated
2	绝缘体/Insulator: PA BLACK
1	公针芯/PIN: 黄铜镀金/Brass, G/F
序号ITEM	名称 & 规格/Name & Description

SCALE	
	F
SHEET	DIMENSION
1 OF 1	MM
DWG NO.	REV.
M12I	A0

TOLERANCES ARE:	
DECIMALES	ANGLES
X ± 0.2	±
.XX ± 0.1	
APPROVALS	
APPROVED:	DATE
CHECKED:	
CHECKED:	
DRAWN:	S.peng 03/24/2014

TITLE: 浮动式插头/Free Plug	
PART NO. M12I1305AMABG1	REV. *
LINCONN Linconn Elc Tech Co.,LTD	