

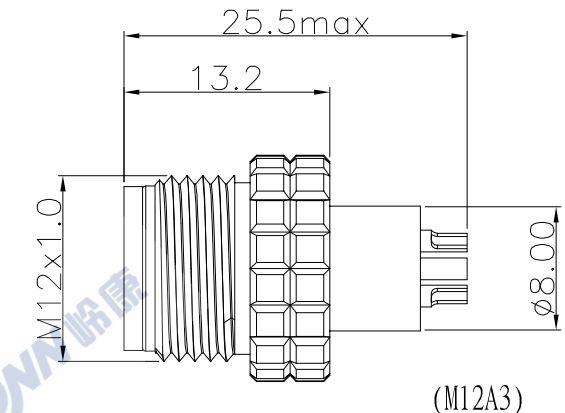
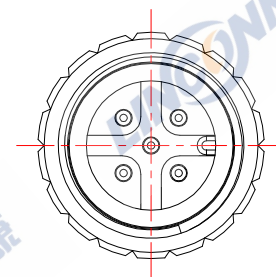
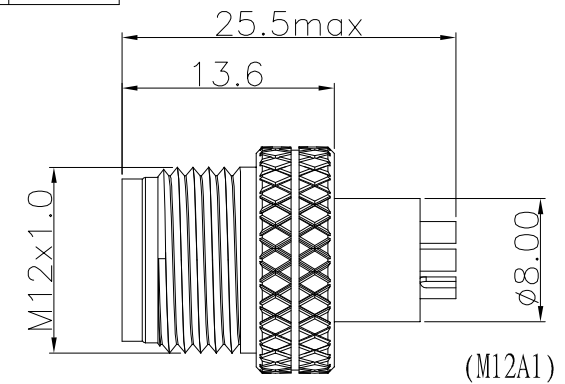
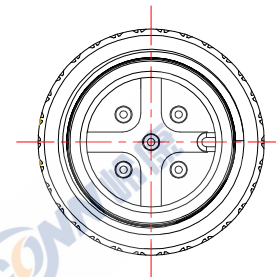
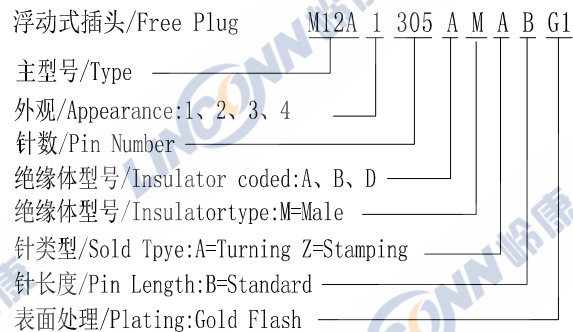
### 1. 芯数/NO. of contacts

系列/Series	303	304	305	306	308	312	317
孔位排列/Pin Number							
适配线缆/Conductor size	22AWG	22AWG	22AWG	24AWG	24AWG	26AWG	26AWG
导体直径/Pin size	1.0mm	1.0mm	1.0mm	0.8mm	0.8mm	0.6mm	0.6mm
额定电流/Rated current	4A	4A	4A	2A	2A	1A	1A
额定电压/Rated voltage	250V	250V	60V	30V	30V	30V	30V

### 2. 绝缘体型号/Insulator Coded

Coded	A	B	D
型号			

### 3. 编码原则/Part Number



### 4. 技术特性/Technical Characteristics

1. 寿命/Durability: >500 mate/unmate cycles
2. Pin接触电阻/ Pin Contact Resistance:  $\leq 10 \text{ m}\Omega$
3. 绝缘电阻/Insulation Resistance:  $\geq 100 \text{ M}\Omega$
4. 温度等级/Rated Temperature:  $-25^\circ \text{C}, +80^\circ \text{C}$
5. 盐雾/Corrosion Resistance: Salt spray test, >48h
6. 防水等级/Waterproof: IP67

3	外壳/Outer Shell: 黄铜镀镍/Brass, Nickel plated		SCALE	TOLERANCES ARE: DECIMALES X ± 0.2 XX ± 0.1	ANGLES ±	TITLE: 浮动式插头/Free Plug	
2	绝缘体/Insulator: PA BLACK		F			APPROVALS	DATE
1	公针芯/PIN: 黄铜镀金/Brass, G/F	SHEET	DIMENSION	APPROVED:	CHECKED:	LINCINN Linconn Elc Tech Co., LTD	
序号ITEM	名称 & 规格/Name & Description	1 OF 1	MM	CHECKED:	DRAWN: S.peng	03/24/2014	
		DWG NO. M12A	REV. A0				