

ECN	REV	DESCRIPTION	DATE	APPROVED

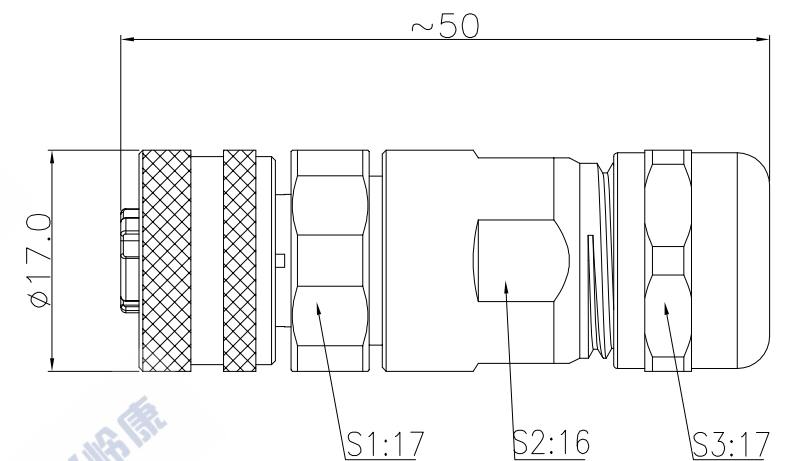
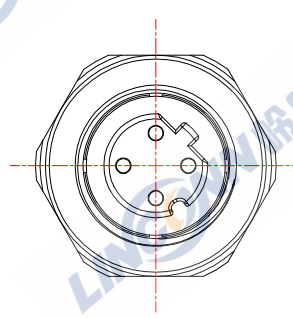
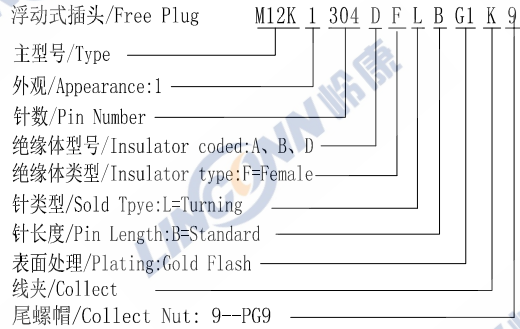
1. 芯数/NO. of contacts

系列/Series	303	304	305	306	308	312	312	317
孔位排列/Pin Number								
适配线缆/Conductor size	22AWG	22AWG	22AWG	24AWG	24AWG	26AWG	26AWG	26AWG
导体直径/Pin size	1.0mm	1.0mm	1.0mm	0.8mm	0.8mm	0.6mm	0.6mm	0.6mm
额定电流/Rated current	4A	4A	4A	2A	2A	1A	1A	1A
额定电压/Rated voltage	250V	250V	60V	30V	30V	30V	30V	30V

2. 绝缘体型号/Insulator Coded

Coded	A	B	D
型号			

3. 编码原则/Part Number



4. 技术特性/Technical Characteristics

1. 寿命/Durability: >500 mate/unmate cycles
2. Pin接触电阻/ Pin Contact Resistance:  $\leq 10 \text{ m}\Omega$
3. 绝缘电阻/Insulation Resistance:  $\geq 100 \text{ M}\Omega$
4. 温度等级/Rated Temperature:  $-25^\circ \text{C}, +80^\circ \text{C}$
5. 盐雾/Corrosion Resistance: Salt spray test, >48h
6. 防水等级/Waterproof: IP67

9	尾螺帽/Collect Nut: 黄铜镀镍/Brass,Nickel plated
8	线夹/Collect: 尼龙/PA
7	密封圈/Gasket: Rubber
6	外壳/Outer Shell: 黄铜镀铬/Brass,Chrome plated
5	六角固定座/Hexagonal Screw: 黄铜镀镍/Brass,Nickel plated
4	密封圈/O-RING: Rubber
3	M12 外壳/M12 Outer Shell: 黄铜镀镍/Brass,Nickel plated
2	绝缘体/Insulator: PA BLACK
1	母针芯/PIN: 磷铜镀金/Phosphor copper, G/F
序号 ITEM	名称 & 规格/Name & Description

	SCALE	TOLERANCES ARE: DECIMALES ANGLES	
	F	$\begin{matrix} X \\ \pm \\ X \end{matrix}$	$\begin{matrix} \text{ANGLES} \\ \pm \end{matrix}$
SHEET	DIMENSION	APPROVALS	DATE
1 OF 1	MM	APPROVED:	
DWG NO.	REV.	CHECKED:	
M12K	A0	DRAWN:	S.peng 08/06/2018

TITLE: 浮动式插头/Free Plug	
PART NO. M12K1304DFLBG1K9	REV. *
<b>LINCONN</b> Linconn Etc Tech Co.,LTD	