

ECN	REV	DESCRIPTION	DATE	APPROVED

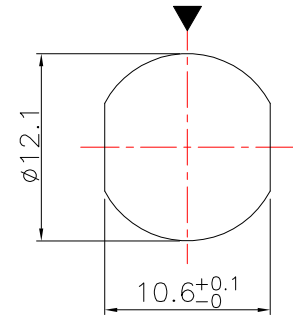
1. 芯数/NO. of contacts

系列/Series	303	304	305	306	308	312	317
Pin 排列/Pin Assignment PCB 孔位/PCB Layout (Front View)							
导体直径/Pin size	1.0mm	1.0mm	1.0mm	0.8mm	0.8mm	0.6mm	0.6mm
额定电压/Rated voltage	250V	250V	60V	30V	30V	30V	30V
额定电流/Rated current	4A	4A	4A	2A	2A	1.0A	1.0A

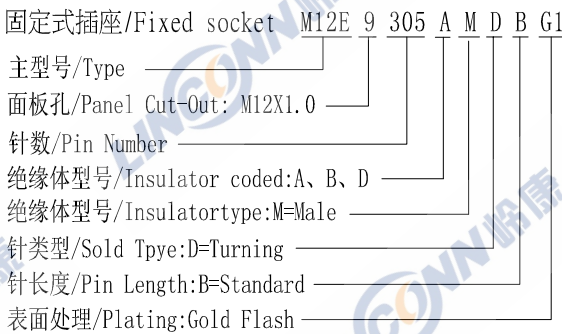
2. 绝缘体型号/Insulator Coded

Coded	A	B	D
型号			

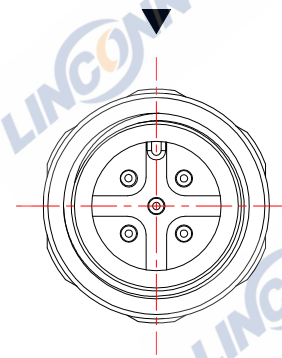
3. 面板开孔/RECOMMENDED PANEL CUT-OUT



3. 编码原则/Part Number

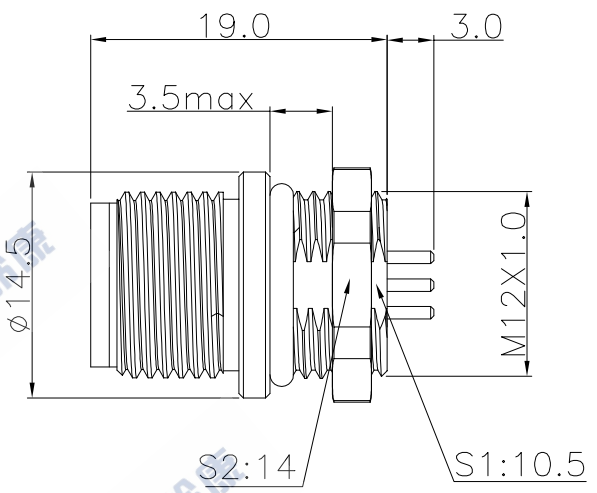


“▼” Insulator key



5. 技术特性/Technical Characteristics

1. 寿命/Durability: >500 mate/unmate cycles
2. Pin接触电阻/ Pin Contact Resistance: ≤10 mΩ
3. 绝缘电阻/Insulation Resistance: ≥100 MΩ
4. 温度等级/Rated Temperature: -25° C, +80° C
5. 盐雾/Corrosion Resistance: Salt spray test, >48h
6. 防水等级/Waterproof: IP67



5	六角螺母/Hexagonal nut: 黄铜镀镍/Brass, Nickel plated
4	密封圈/O-RING: Rubber
3	外壳/Outer Shell: 黄铜镀镍/Brass, Nickel plated
2	绝缘体/Insulator: PA BLACK
1	公针芯/PIN: 黄铜镀金/Brass, G/F
序号ITEM	名称 & 规格/Name & Description

SHEET	SCALE	TOLERANCES ARE: DECIMALES X ± 0.2 .XX ± 0.1	APPROVALS	DATE
	F			
1 OF 1	DIMENSION	ANGLES	TITLE: 固定式插座/Fixed socket	
DWG NO.	REV.	PART NO. M12E9305AMDBG1		REV. *
M12E	A0	DRAWN: S.peng		03/24/2014

TITLE: 固定式插座/Fixed socket

PART NO. M12E9305AMDBG1

REV. *

LINCONN Linconn Elc Tech Co.,LTD