

ECN	REV	DESCRIPTION	DATE	APPROVED

1. 芯数/NO. of contacts

系列/Series	303	304	305	306	308	312	317
Pin 排列/Pin Assignment PCB 孔位/PCB Layout (Front View)							
导体直径/Pin size	1.0mm	1.0mm	1.0mm	0.8mm	0.8mm	0.6mm	0.6mm
额定电压/Rated voltage	250V	250V	60V	30V	30V	30V	30V
额定电流/Rated current	4A	4A	4A	2A	2A	1.0A	1.0A

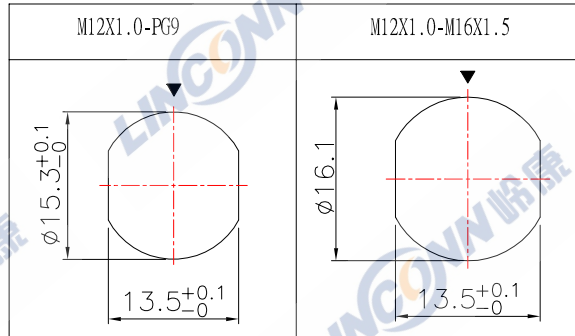
2. 绝缘体型号  
Insulator Coded

Coded	
A	
B	
D	

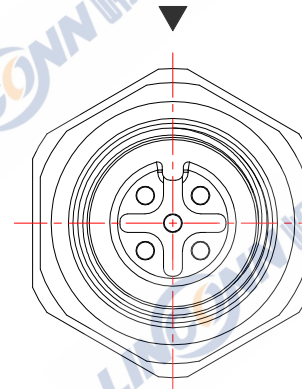
3. 编码原则/Part Number

固定式插座/Fixed socket M12E 7 305 A F N B G1  
 主型号/Type \_\_\_\_\_  
 面板孔/Panel Cut-Out: 7-PG9  
   8-M16X1.5  
 针数/Pin Number \_\_\_\_\_  
 绝缘体型号/Insulator coded:A, B, D \_\_\_\_\_  
 绝缘体类型/Insulator type:F=Female \_\_\_\_\_  
 针类型/Sold Tpye:N=Turning \_\_\_\_\_  
 针长度/Pin Length:B=Standard \_\_\_\_\_  
 表面处理/Plating:Gold Flash \_\_\_\_\_

4. 面板开孔/RECOMMENDED PANEL CUT-OUT

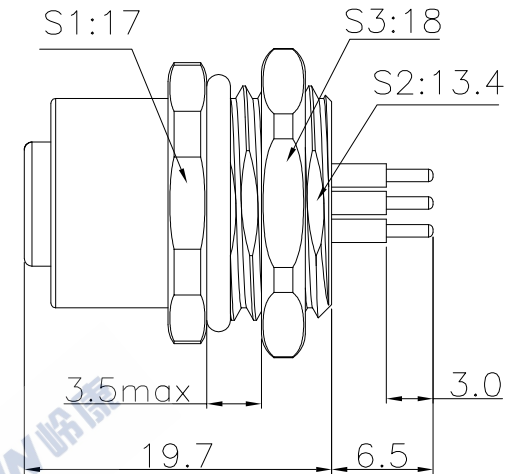


"▼" Insulator key



5. 技术特性/Technical Characteristics

1. 寿命/Durability: >500 mate/unmate cycles
2. Pin接触电阻/ Pin Contact Resistance: ≤10 mΩ
3. 绝缘电阻/Insulation Resistance: ≥ 100 MΩ
4. 温度等级/Rated Temperature: -25° C,+80° C
5. 盐雾/Corrosion Resistance: Salt spray test,>48h
6. 防水等级/Waterproof: IP67



5	六角螺母/Hexagonal nut: 黄铜镀镍/Brass,Nickel plated
4	母针芯/PIN: 磷铜镀金/Phosphor copper,G/F
3	外壳/Outer Shell: 黄铜镀镍/Brass,Nickel plated
2	密封圈/O-RING: Rubber
1	绝缘体/Insulator: PA BLACK
序号/ITEM	名称 & 规格/Name & Description

SHEET	DIMENSION	TOLERANCES ARE: DECIMALES		DATE
		· X± 0.2	ANGLES ±	
1 OF 1	MM	APPROVALS		
DWG NO.	REV.	APPROVED:		
M12E	A0	CHECKED:		
		CHECKED:		
		DRAWN: S.peng	03/24/2014	

TITLE: 固定式插座/Fixed socket	
PART NO. M12E7304AFNBG1	REV. *
<b>LINCONN</b> Linconn Etc Tech Co.,LTD	