

1. 芯数/NO. of contacts

系列/Series	303	304	305	306	308	312	317
孔位排列/Pin Number							
适配线缆/Conductor size	22AWG	22AWG	22AWG	24AWG	24AWG	26AWG	26AWG
导体直径/Pin size	1.0mm	1.0mm	1.0mm	0.8mm	0.8mm	0.6mm	0.6mm
额定电流/Rated current	4A	4A	4A	2A	2A	1A	1A
额定电压/Rated voltage	250V	250V	60V	30V	30V	30V	30V

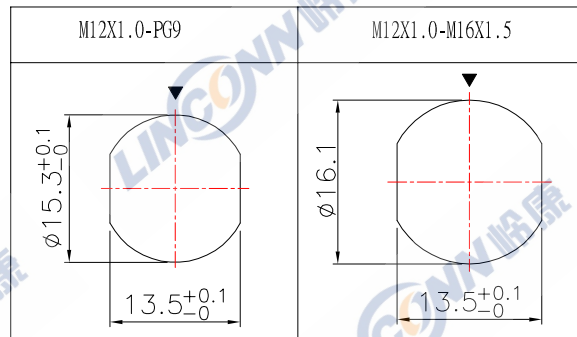
2. 绝缘体型号/Insulator Coded

Coded	A	B	D
型号			

3. 编码原则/Part Number

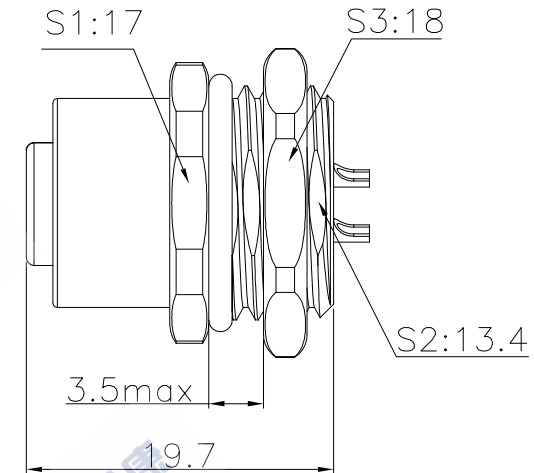
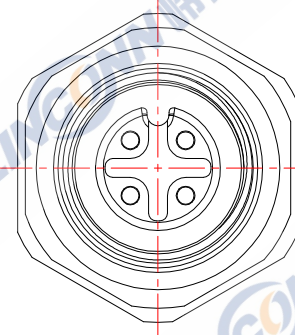
固定式插座/Fixed socket M12E 7 304 A F L L G1
 主型号/Type _____
 面板孔/Panel Cut-Out: 7-PG9 _____
 8-M16X1.5 _____
 针数/Pin Number _____
 绝缘体型号/Insulator coded:A, B, D _____
 绝缘体类型/Insulator type:F=Female _____
 针类型/Sold Tpye:L=Turning _____
 针长度/Pin Length:S=Short, L=Long _____
 表面处理/Plating:Gold Flash _____

4. 面板开孔/RECOMMENDED PANEL CUT-OUT



5. 技术特性/Technical Characteristics

- 寿命/Durability: >500 mate/unmate cycles
- Pin接触电阻/ Pin Contact Resistance: ≤10 mΩ
- 绝缘电阻/Insulation Resistance: ≥ 100 MΩ
- 温度等级/Rated Temperature: -25° C, +80° C
- 盐雾/Corrosion Resistance: Salt spray test, >48h
- 防水等级/Waterproof: IP67



5	六角螺母/Hexagonal nut: 黄铜镀镍/Brass, Nickel plated
4	母针芯/PIN: 磷铜镀金/Phosphor copper, G/F
3	外壳/Outer Shell: 黄铜镀镍/Brass, Nickel plated
2	密封圈/O-RING: Rubber
1	绝缘体/Insulator: PA BLACK
序号/ITEM	名称 & 规格/Name & Description

	SCALE	TOLERANCES ARE: DECIMALES · X ± 0.2 · XX ± 0.1	ANGLES ±
	F		
SHEET	DIMENSION	APPROVALS	DATE
1 OF 1	MM	APPROVED:	
DWG NO.	REV.	CHECKED:	
M12E	A0	DRAWN: S.peng	03/24/2014

TITLE: 固定式插座/Fixed socket	
PART NO. M12E7304AFLLG1	REV. *
Linconn Etc Tech Co.,LTD	