

ECN	REV	DESCRIPTION	DATE	APPROVED

1. 芯数/NO. of contacts

系列/Series	303	304	305	306	308	312	317
Pin 排列/Pin Assignment PCB 孔位/PCB Layout (Front View)							
导体直径/Pin size	1.0mm	1.0mm	1.0mm	0.8mm	0.8mm	0.6mm	0.6mm
额定电压/Rated voltage	250V	250V	60V	30V	30V	30V	30V
额定电流/Rated current	4A	4A	4A	2A	2A	1.0A	1.0A

2. 绝缘体型号

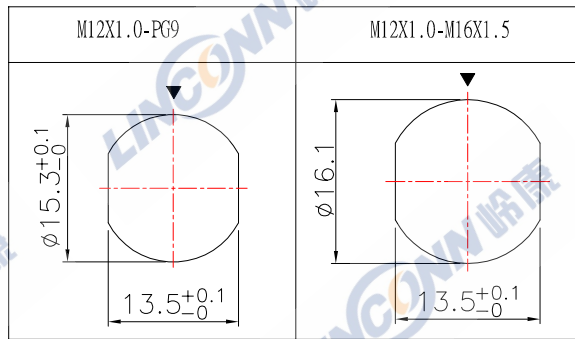
Insulator Coded

Coded	
A	
B	
D	

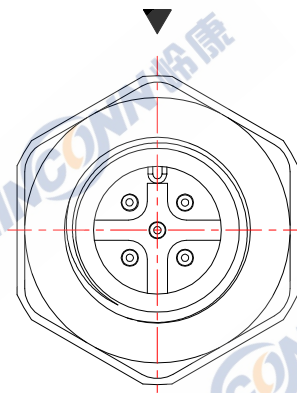
3. 编码原则/Part Number

固定式插座/Fixed socket M12E 7 305 A M D B G1  
 主型号/Type \_\_\_\_\_  
 面板孔/Panel Cut-Out: 7--PG9  
 8--M16X1.5  
 针数/Pin Number \_\_\_\_\_  
 绝缘体型号/Insulator coded:A, B, D \_\_\_\_\_  
 绝缘体类型/Insulator type:M=Male \_\_\_\_\_  
 针类型/Sold Tpye:D=Turning \_\_\_\_\_  
 针长度/Pin Length:B=Standard \_\_\_\_\_  
 表面处理/Plating:Gold Flash \_\_\_\_\_

4. 面板开孔/RECOMMENDED PANEL CUT-OUT

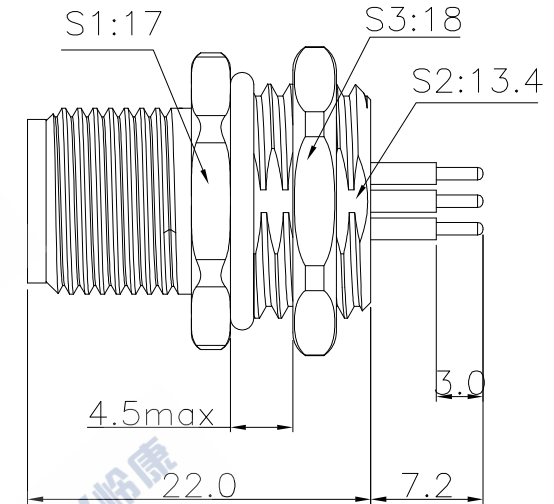


“▼” Insulator key



5. 技术特性/Technical Characteristics

- 寿命/Durability: >500 mate/unmate cycles
- Pin接触电阻/ Pin Contact Resistance: ≤10 mΩ
- 绝缘电阻/Insulation Resistance: ≥ 100 MΩ
- 温度等级/Rated Temperature: -25° C, +80° C
- 盐雾/Corrosion Resistance: Salt spray test, >48h
- 防水等级/Waterproof: IP67



5	六角螺母/Hexagonal nut: 黄铜镀镍/Brass, Nickel plated
4	密封圈/O-RING: Rubber
3	外壳/Outer Shell: 黄铜镀镍/Brass, Nickel plated
2	绝缘体/Insulator: PA BLACK
1	公针芯/PIN: 黄铜镀金/Brass, G/F
序号ITEM	名称 & 规格/Name & Description

	SCALE
F	F
SHEET	DIMENSION
1 OF 1	MM
DWG NO.	REV.
M12E	A0

TOLERANCES ARE: DECIMALES		ANGLES ±
X ± 0.2		
.XX ± 0.1		
APPROVALS	DATE	
APPROVED:		
CHECKED:		
CHECKED:		
DRAWN: S.peng	03/24/2014	

TITLE: 固定式插座/Fixed socket	
PART NO. M12E7305AMDBG1	REV. *
Linconn Elc Tech Co.,LTD	