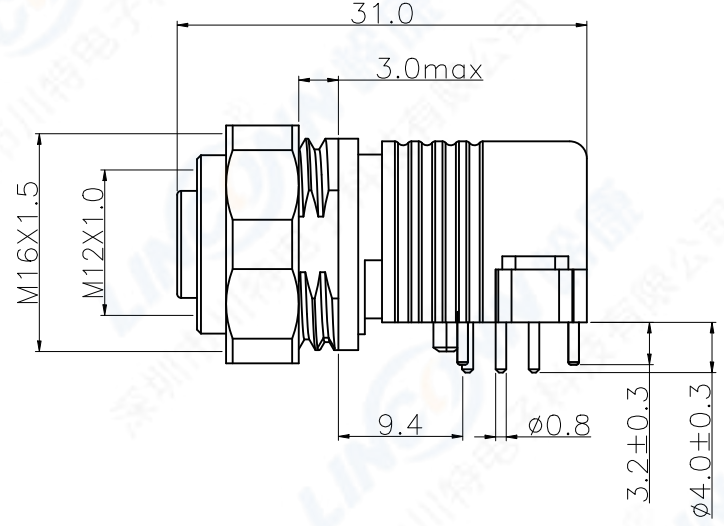
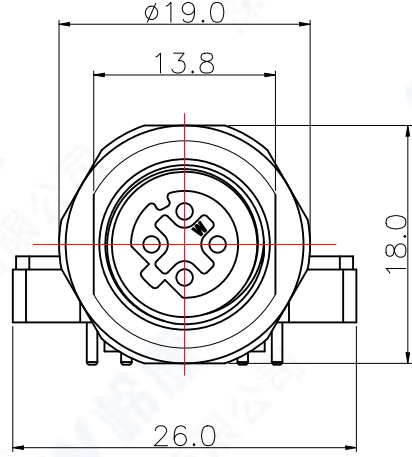
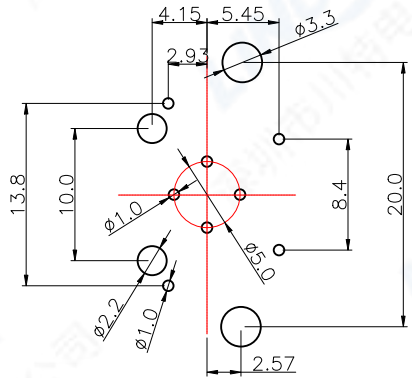


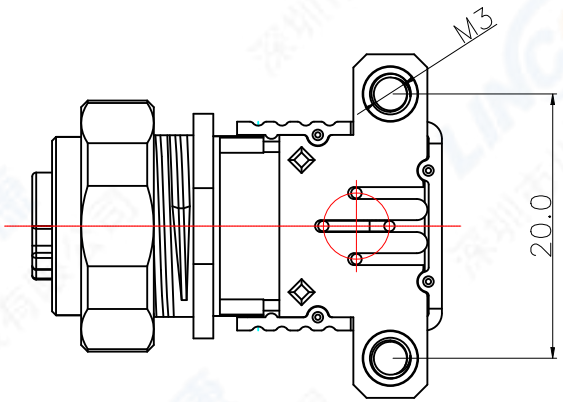
ECN	REV	DESCRIPTION	DATE	APPROVED

1. PCB 开孔尺寸/PCB LAYOUT



2. 技术特性/Technical Characteristics

1. 寿命/Durability: >100 mate/unmate cycles
2. Pin接触电阻/ Pin Contact Resistance: ≤10 mΩ
3. 绝缘电阻/Insulation Resistance: ≥ 100 MΩ
4. 温度等级/Rated Temperature: -25° C, +85° C
5. 耐蚀/Corrosion Resistance: Salt spray test, >48h
6. 防水等级/Waterproof: IP67



5	屏蔽壳/Shield Shell: 锌合金镀镍/Zinc aluminum alloy, nickel plated
4	母针芯/PIN: 磷铜镀金/Phosphor copper, gold 5U'
3	外壳/Outer Shell: 黄铜镀镍/Brass, Nickel plated
2	密封圈/O-RING: Rubber
1	绝缘体/Insulator: PA BLACK

	SCALE	TOLERANCES ARE:	ANGLES
	F	DECIMALES · X ± 0.2 · XX ± 0.1	±
SHEET	DIMENSION	APPROVALS	DATE
1 OF 1	MM	APPROVED:	
DWG NO.	REV.	CHECKED:	
C860003	A0	CHECKED:	
		DRAWN: pengsen	11/05/2021

TITLE: M12 D-4pin female socket	
PART NO. M12H8304DFVBG5-N	REV. *

序号ITEM	名称 & 规格/Name & Description
--------	----------------------------

