

ECN	REV	DESCRIPTION	DATE	APPROVED

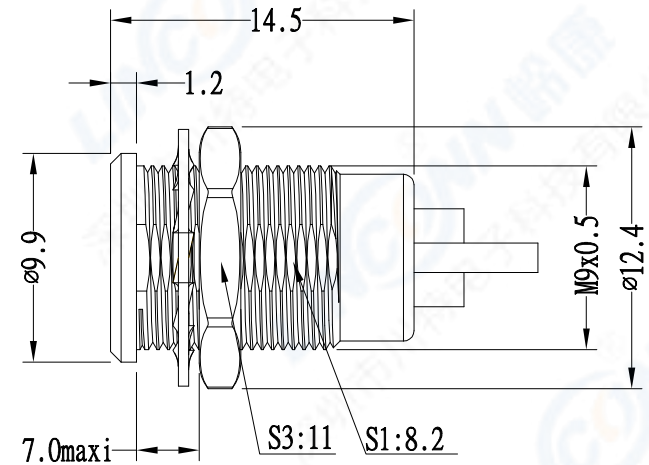
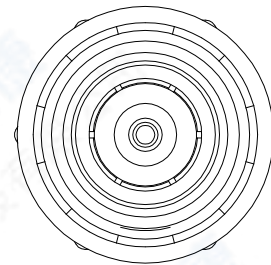
### 1) OS series connectors provide the following main features:

- security of the Push-Pull self-latching system
- solder or print contacts (straight or elbow)
- polarisation by stepped insert (half-moon) fitted with male and female contacts
- 360° screening for full EMC shielding.

### 2) Specifications

Contact Type: Coaxial 50 Ohm (Solder)  
 Contact Dia.: 0.9 mm  
 Rated Current: 6 Amps  
 Max. Matings: 500  
 Temp (min / max): -25° C / +150° C  
 Salt Spray Corrosion: >144 hr  
 IP Rating: 50

Cable type: RG 178 B/U, RG 196 A/U, RG 188 A/U, RG 316  
 B/U, RG 174 A/U, HF-2114, RG 122 /U

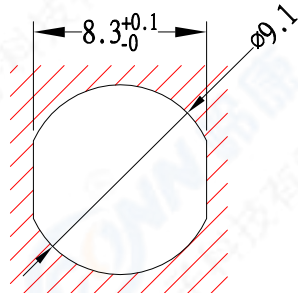


### 3) 編碼原則/Part Number

固定式插座/Fixed socket **ZRN OS 250 C T L**

主型號/Key System		焊接式/Sold Type
針數/Pin Number(I)		绝缘体/Insulator
		外壳/Outer Shell

### 4) 面板開孔尺寸/Hole Size



6	母针芯/Pin: 磷铜镀金/Phosphor copper, Gold plated
5	接地环/Earthing crown: 黄铜镀金/Brass, Gold plated
4	绝缘体/Insulator: PTFE
3	六角螺母/Hexagonal nut: 黄铜镀镍/Brass, Nickel plated
2	垫圈/Locking washer: SUS 301
1	外壳/Outer Shell: 黄铜镀铬/Brass, Chrome plated
序号 ITEM	名称 & 规格/Name & DESCRIPTION

SCALE		TOLERANCES ARE:		TITLE:	
F		DECIMALES	ANGLES	固定式插座/Fixed socket	
SHEET	DIMENSION	APPROVALS		PART NO.	REV.
1 OF 1	MM	DATE		ZRN OS 250 CTL	*
DWG NO.	REV.	APPROVED:		L inconn E lc Tech C o.,L TD	
ZRNOS	A0	CHECKED:			
		DRAWN: pengsen 24/03/2014			